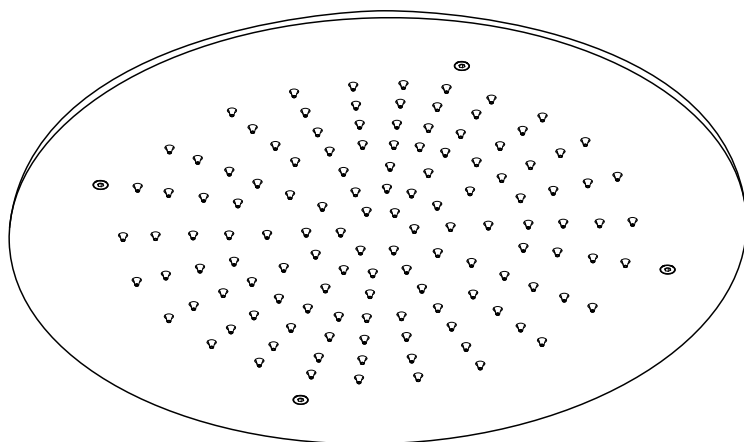


ZSOF

130.. FILADELFIA
303.. LOS ANGELES
304.. LAS VEGAS



IST053
Rev.2016.07

1

Montaggio Assembly



3 Bar	11,6 Lt/Min
-------	-------------



65°C MAX



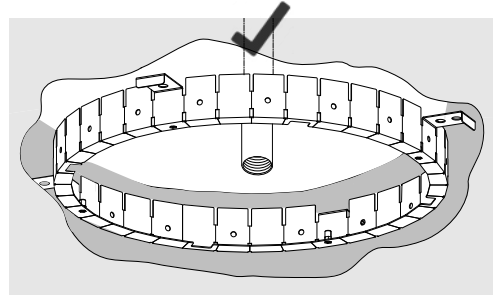
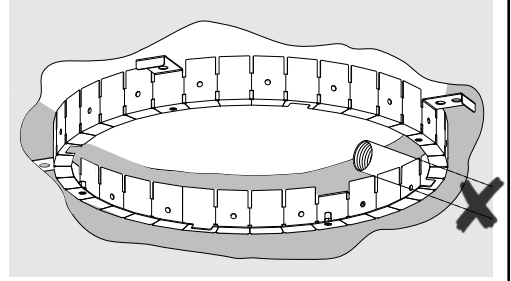
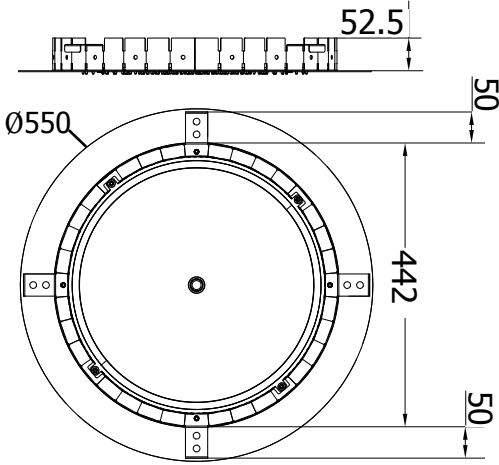
MIN - MAX



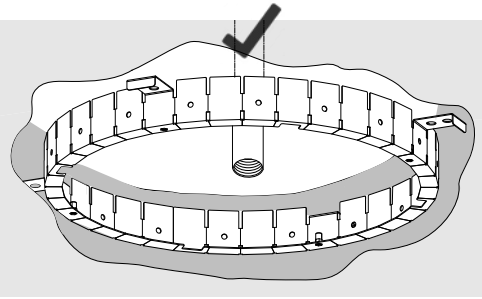
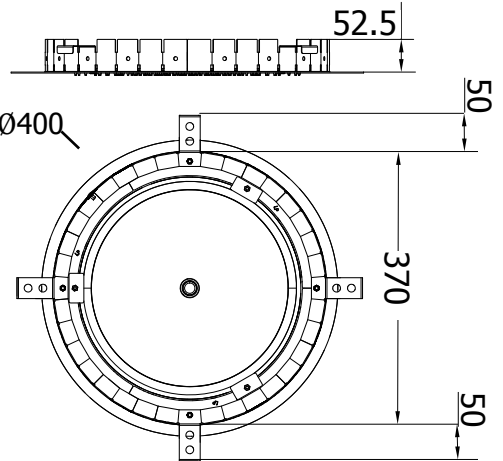
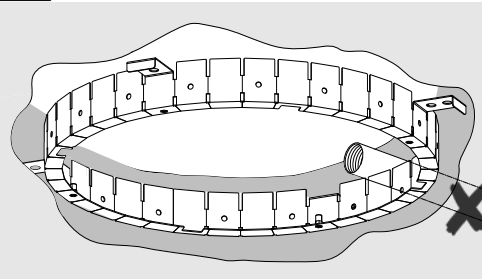
OK

2_a

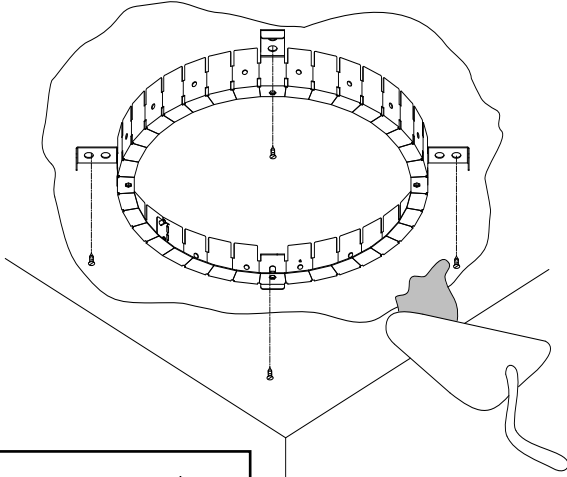
304



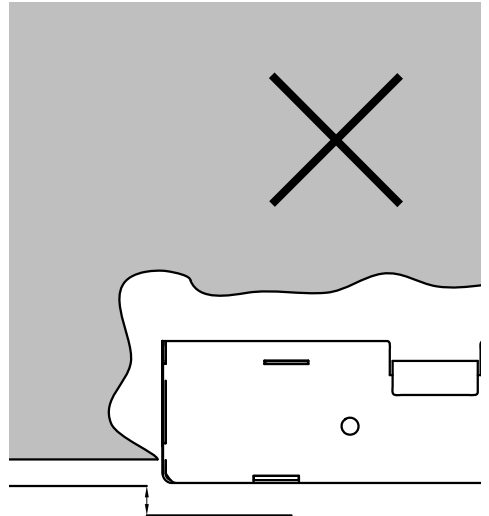
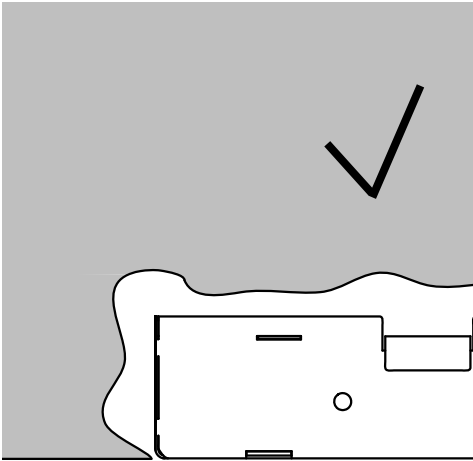
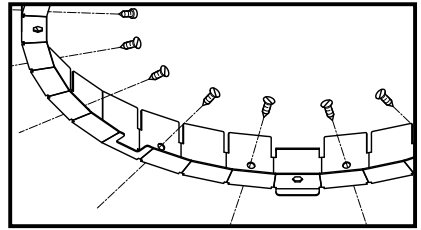
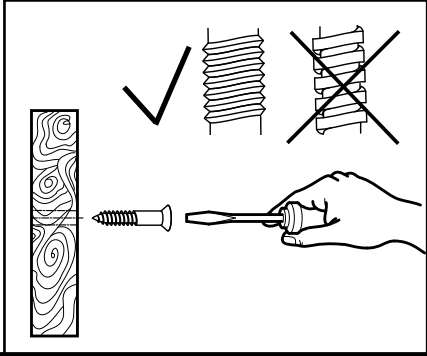
303
130

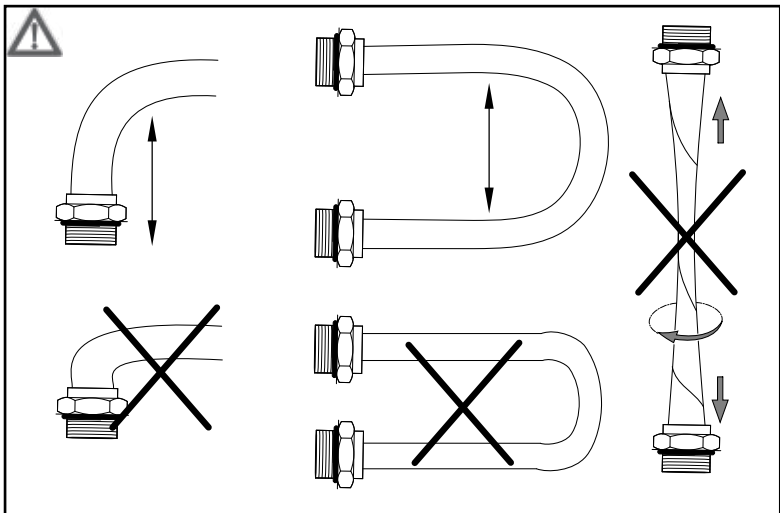
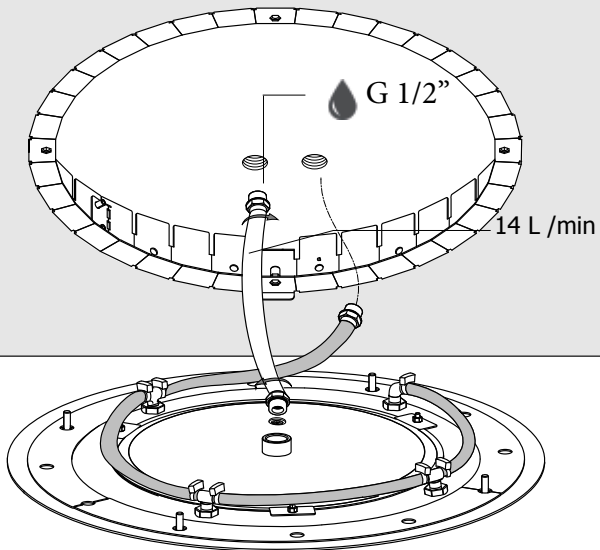
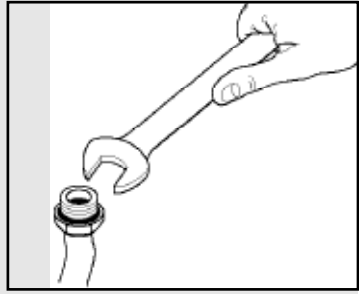
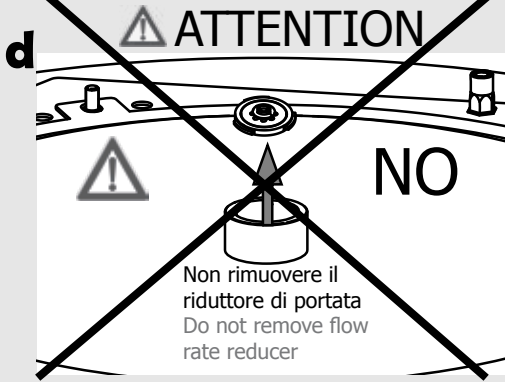


C

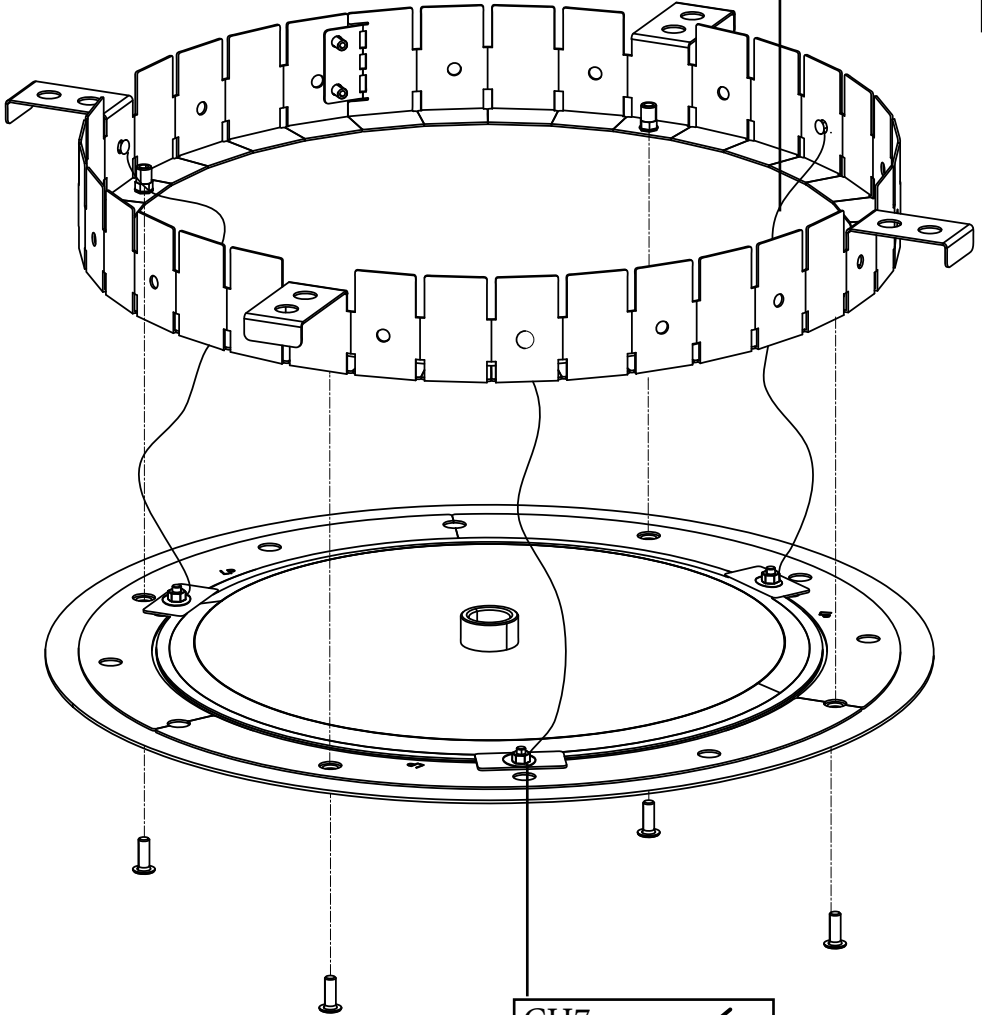
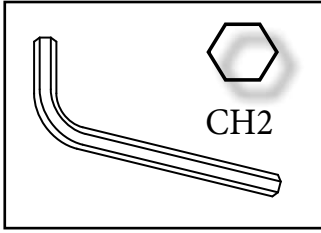


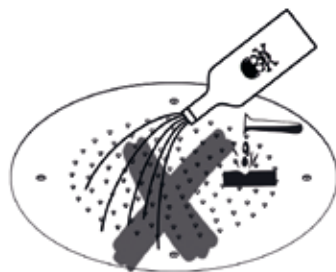
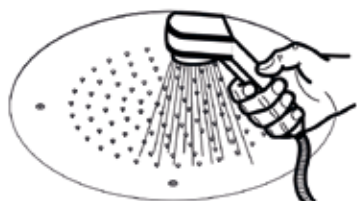
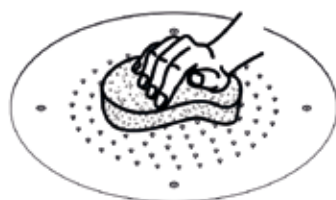
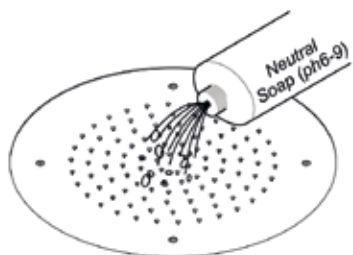
304





e





P Pulizia Cleaning

